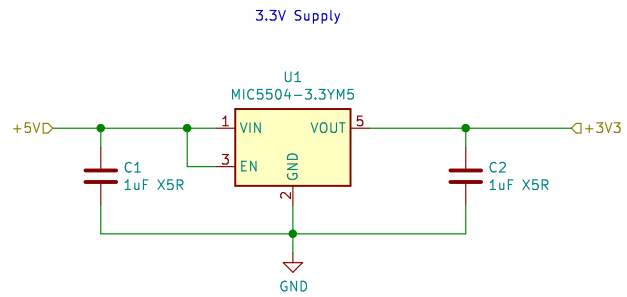


Sheet: /	
File: audio-board-mcu.sch	
Title:	
Size: A4	Date:
KiCad E.D.A. kicad (5.0.1)-4	Rev: Id: 1/6



Sheet: /Power/
File: power.sch

Title:

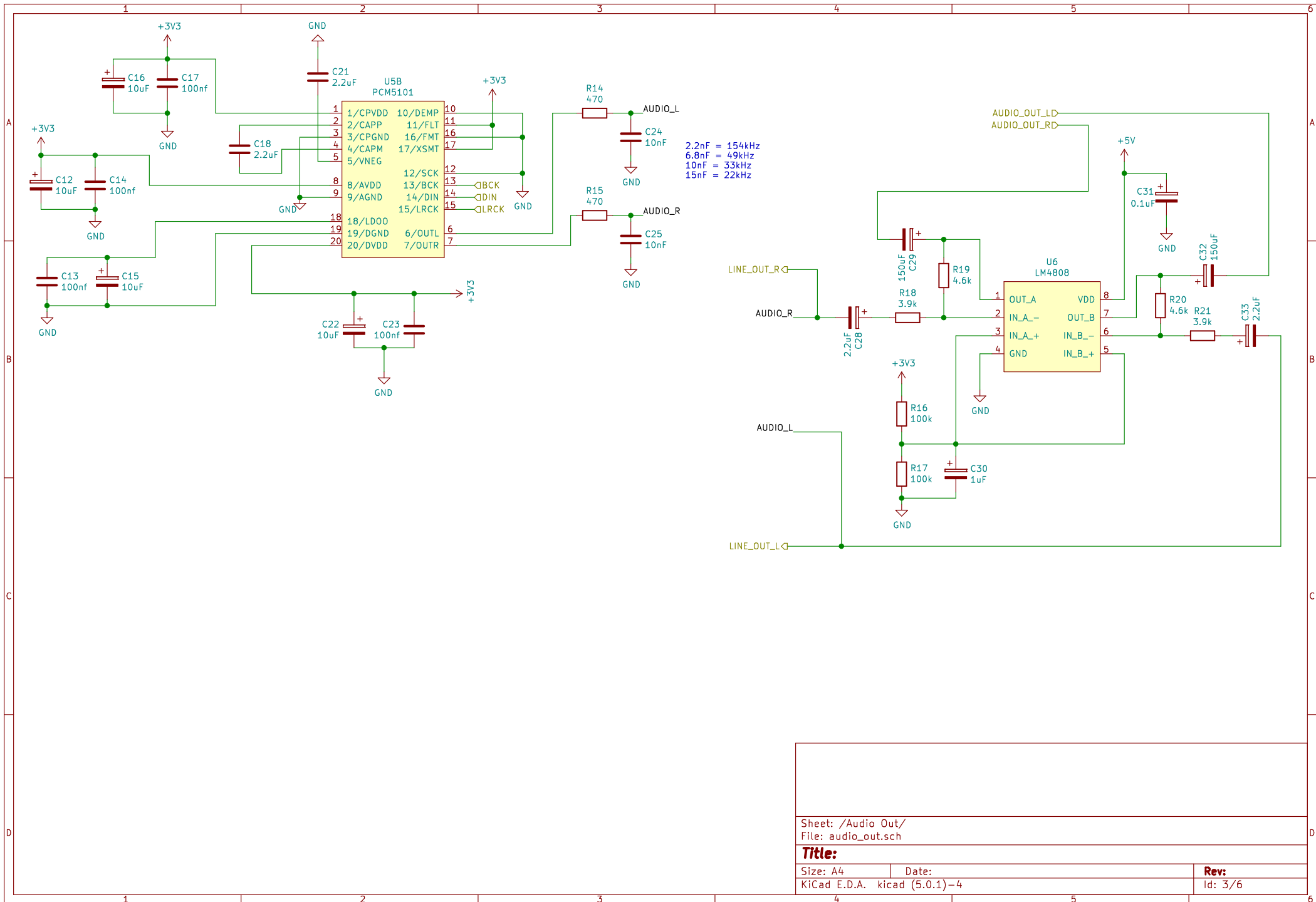
Size: A4

Date:

KiCad E.D.A. kicad (5.0.1)-4

Rev:

Id: 2/6

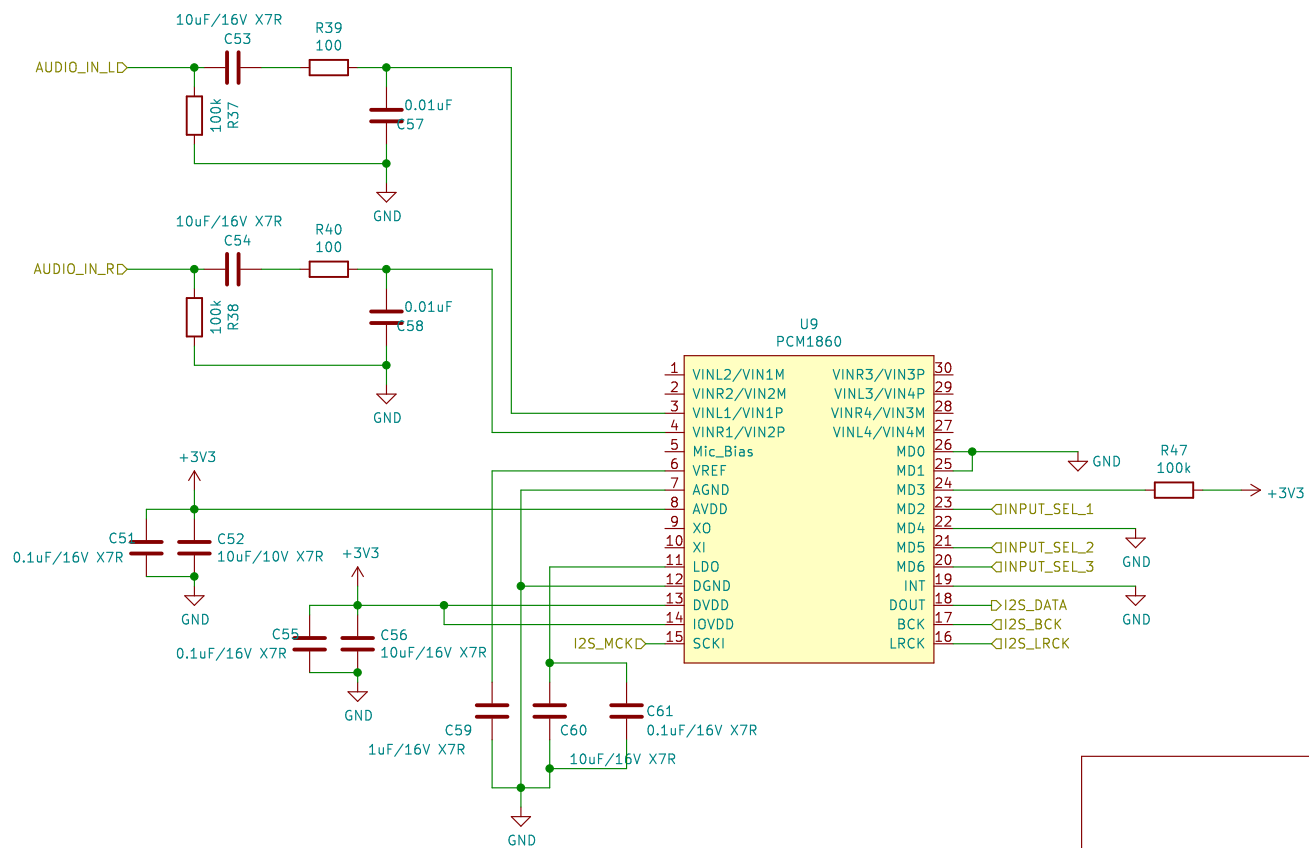


Sheet: /Audio Out/
 File: audio_out.sch

Title:

Size: A4 Date:
 KiCad E.D.A. kicad (5.0.1)-4

Rev:
 Id: 3/6



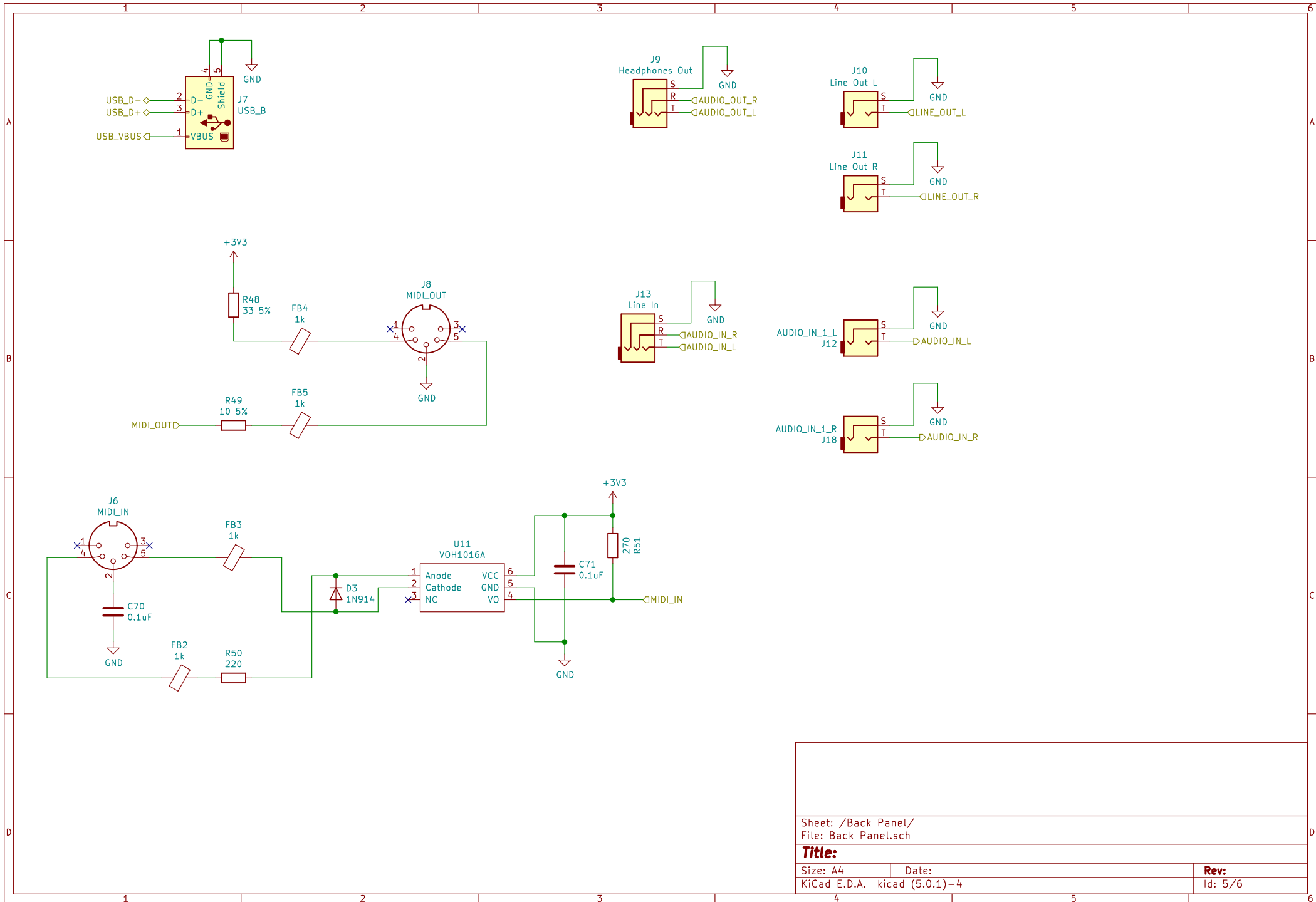
Sheet: /Audio In/
 File: Audio_In.sch

Title:

Size: A4
 KiCad E.D.A. kicad (5.0.1)-4

Date:

Rev:
 Id: 4/6



Sheet: /Back Panel/
 File: Back Panel.sch

Title:

Size: A4
 KiCad E.D.A. kicad (5.0.1)-4

Date:

Rev:
 Id: 5/6

